



# LASER PRINTER

## PARTS REFERENCE LIST



HL-1660e

---

## NOTE FOR USING THIS PARTS REFERENCE LIST

1. In the case of ordering parts, it needs mentioning the following items:

- (1) Code
- (2) Q'ty
- (3) Description
- (4) Symbol ( PCB No., Revision , and Parts location mounted on the PCB.)

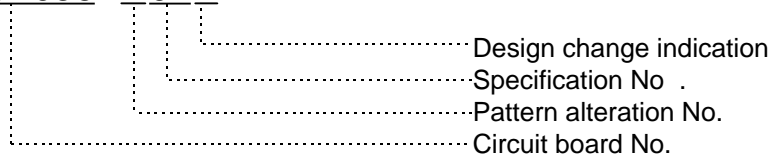
*Note : No orders without Parts Code or Tool No. can be accepted.*

< Example >

REF.NO.	CODE	Q'TY	DESCRIPTION	SYMBOL	REMARK

Revision No.: marked on the printed circuit board.

### B48K056 - 201A



2. Design-changed parts :

If the parts are changed, any one of the following symbols is indicated in the REMARKS column.

- #A : compatible between old and new
- #B : replaceable from old to new
- #D : incompatible
- # : newly established

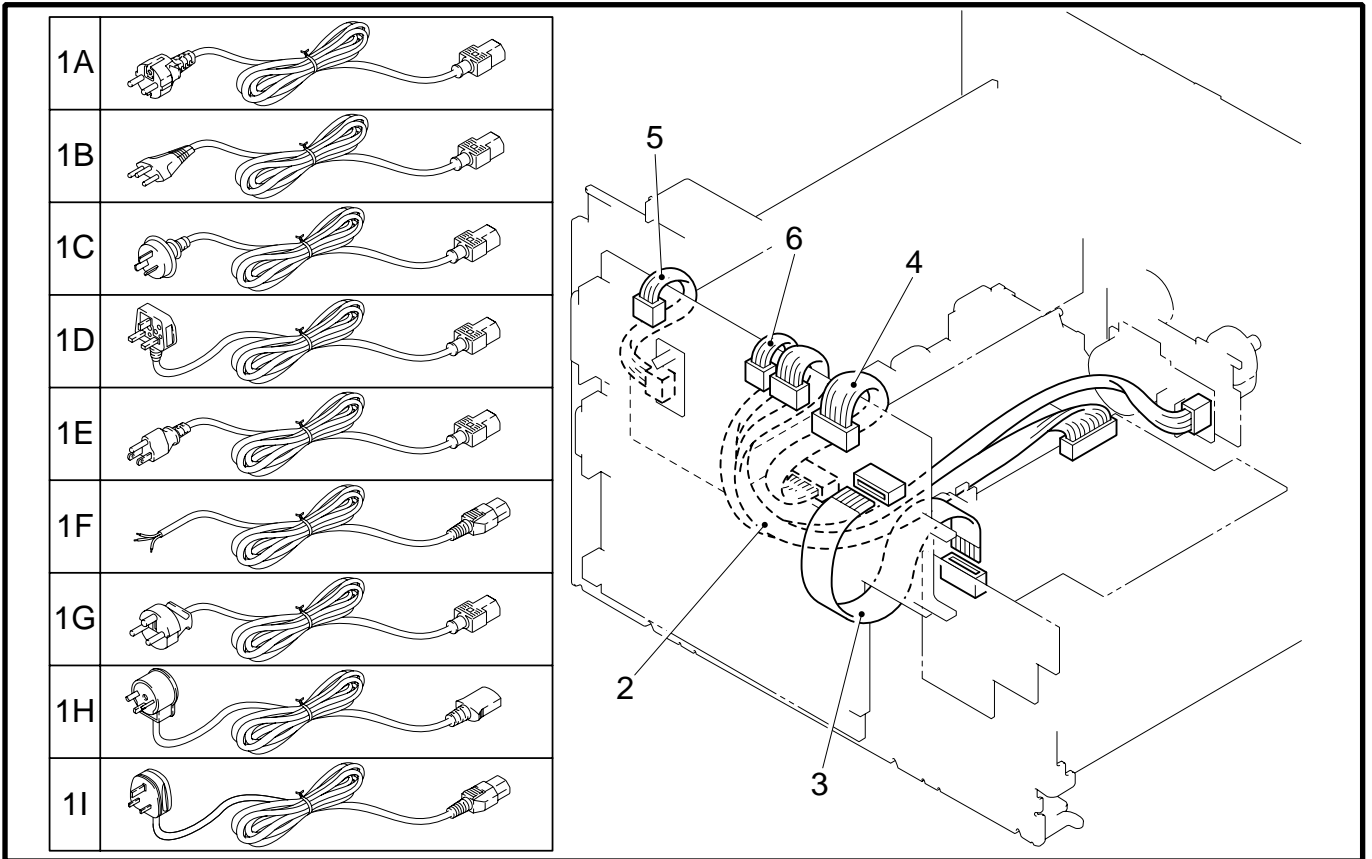
3. The original of this list was made based on the information available in November, 1997.

4. Parts are subject to change in design without prior notice.

# CONTENTS

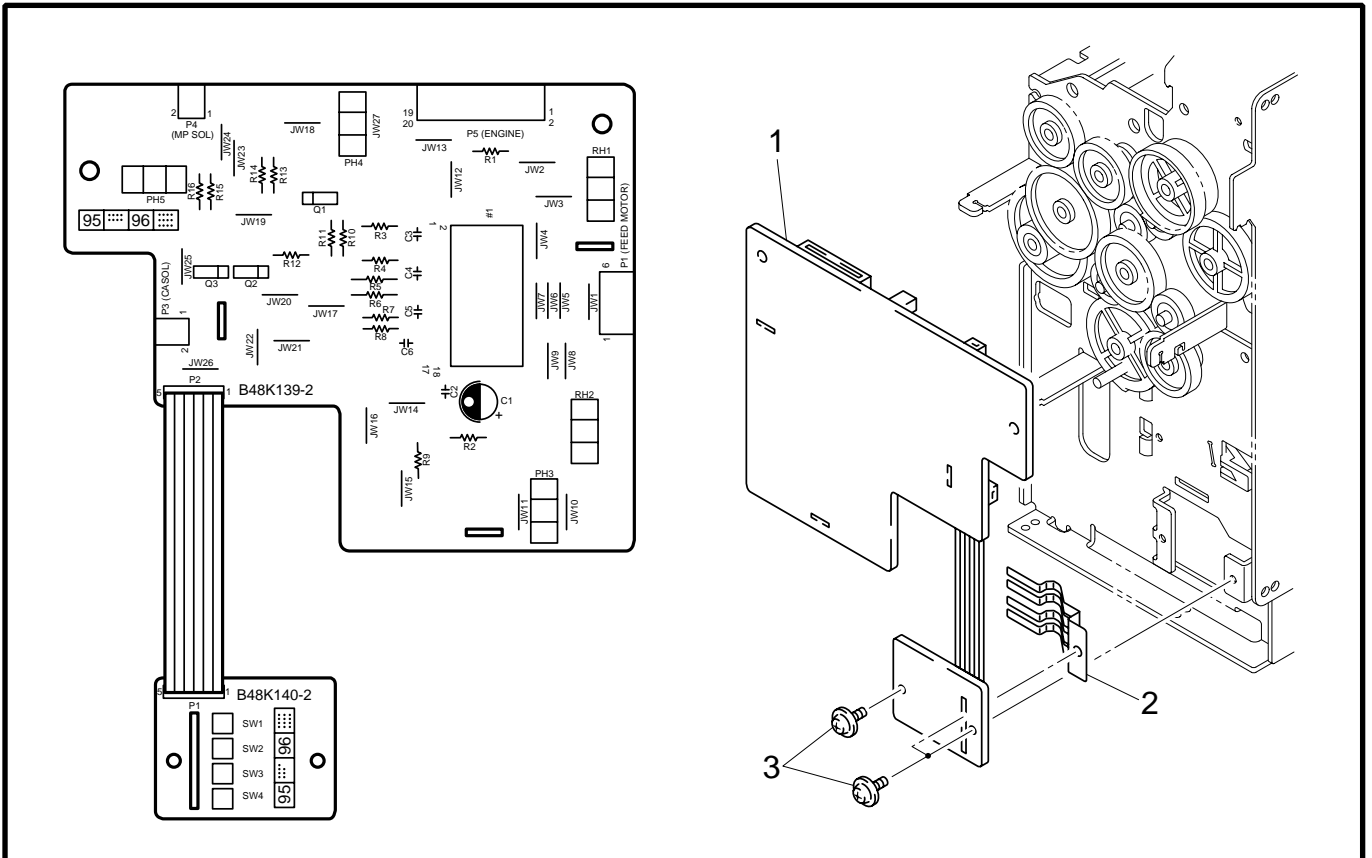
1. POWER CORDS & HARNESSSES .....	1
2. PAPER FEEDER PCB .....	1
3. CONTROL PANEL .....	3
4. PCB ATTACHMENTS .....	3
5. MAIN PCB .....	5
6. HIGH-VOLTAGE POWER SUPPLY .....	7
7. LOW-VOLTAGE POWER SUPPLY .....	7
8. COVERS .....	9
9. CHASSIS .....	9
10. TRANSFER .....	11
11. PAPER TRAY .....	11
12. PAPER FEEDER .....	13
13. SCANNER .....	15
14. FIXING UNIT, 120V/230V .....	15
15. DOCUMENTS .....	17
16. PACKING MATERIALS .....	19
17. OPTIONAL PARTS SET .....	19
18. ADJUSTING TOOL KIT .....	21

## 1 . POWER CORDS & HARNESSES



MODEL HL-1660e 54T-U03-050/070

## 2 . PAPER FEEDER PCB



MODEL HL-1660e 54T-U03-090

1. POWER CORDS & HARNESSSES

REF.NO.	CODE	Q'TY	DESCRIPTION	REMARK
1A	UH1052001	1	AC CORD, VDE	
1B	UH1053001	1	AC CORD, SEV	
1C	UH1055001	1	AC CORD, SAA	
1D	UH1054001	1	AC CORD, BS	
1E	UH1051001	1	AC CORD, UL/CSA	
1F	U34320001	1	AC CORD #4, BS WO/PLUG	
1G	UK4094001	1	AC CORD #5, DEMKO	
1H	U34322001	1	AC CORD #6, ISRAEL	
1I	U34342001	1	AC CORD #8, BS/SINGAPORE	
2	UK2502001	1	HV HARNESS 16P	
3	UK2505000	1	FEED FLAT CABLE 20P	
4	UK2506001	1	LV HARNESS 8P	
5	UK2507001	1	FUSER HARNESS 4P	
6	UK2508001	1	DC MOTOR HARNESS 4P	

MODEL HL-1660e 54T-U03-050/070

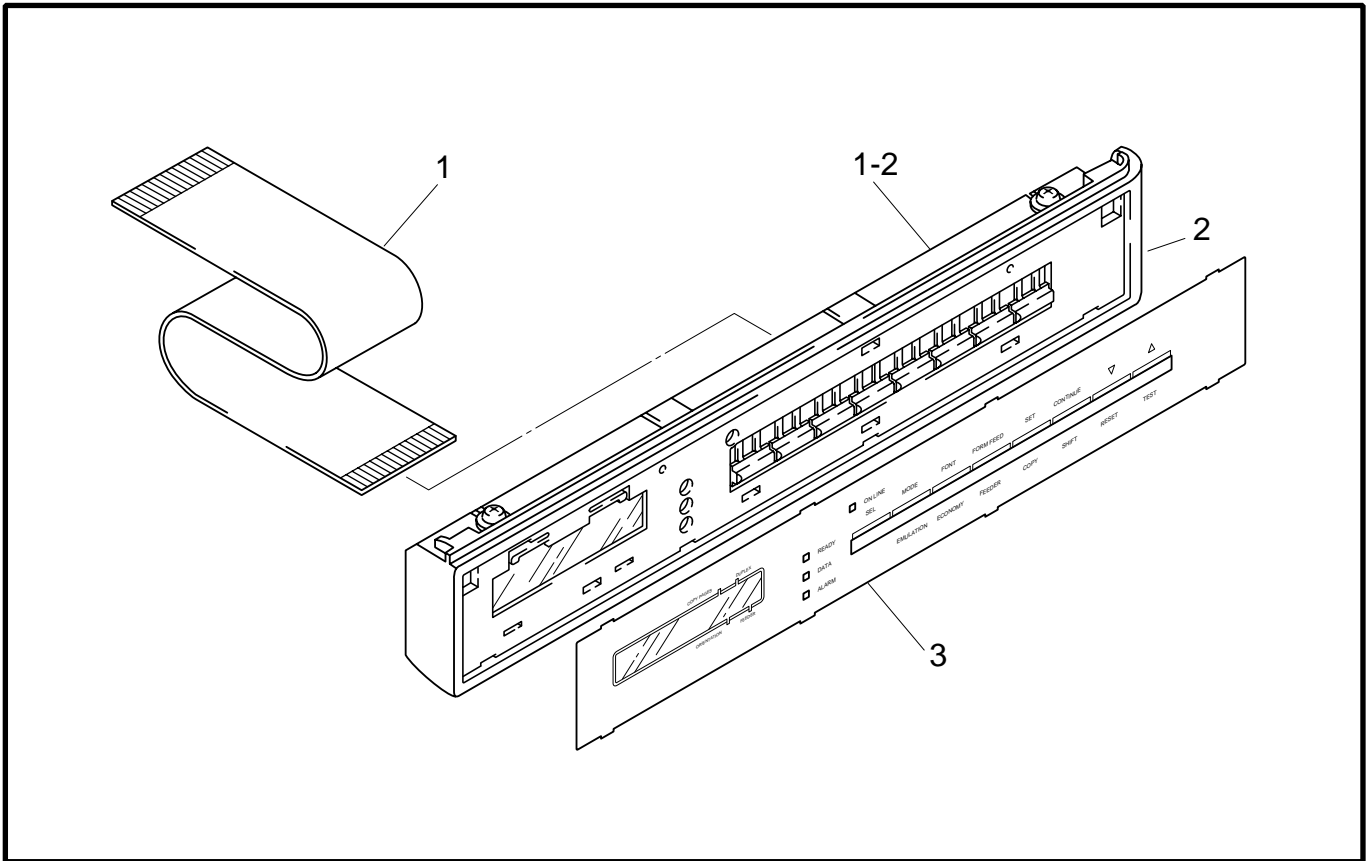
T/I NO. PR98046

2. PAPER FEEDER PCB

REF.NO.	CODE	Q'TY	DESCRIPTION	SYMBOL	REMARK
1	UK2701001	1	P FEED/SIZE-SW PCB ASSY (SP)	B48K139/140-200B/200B	
2	UH2410000	1	SIZE SWITCH SPRING		
3	087320616	2	TAPTITE, CUP S M3X6		

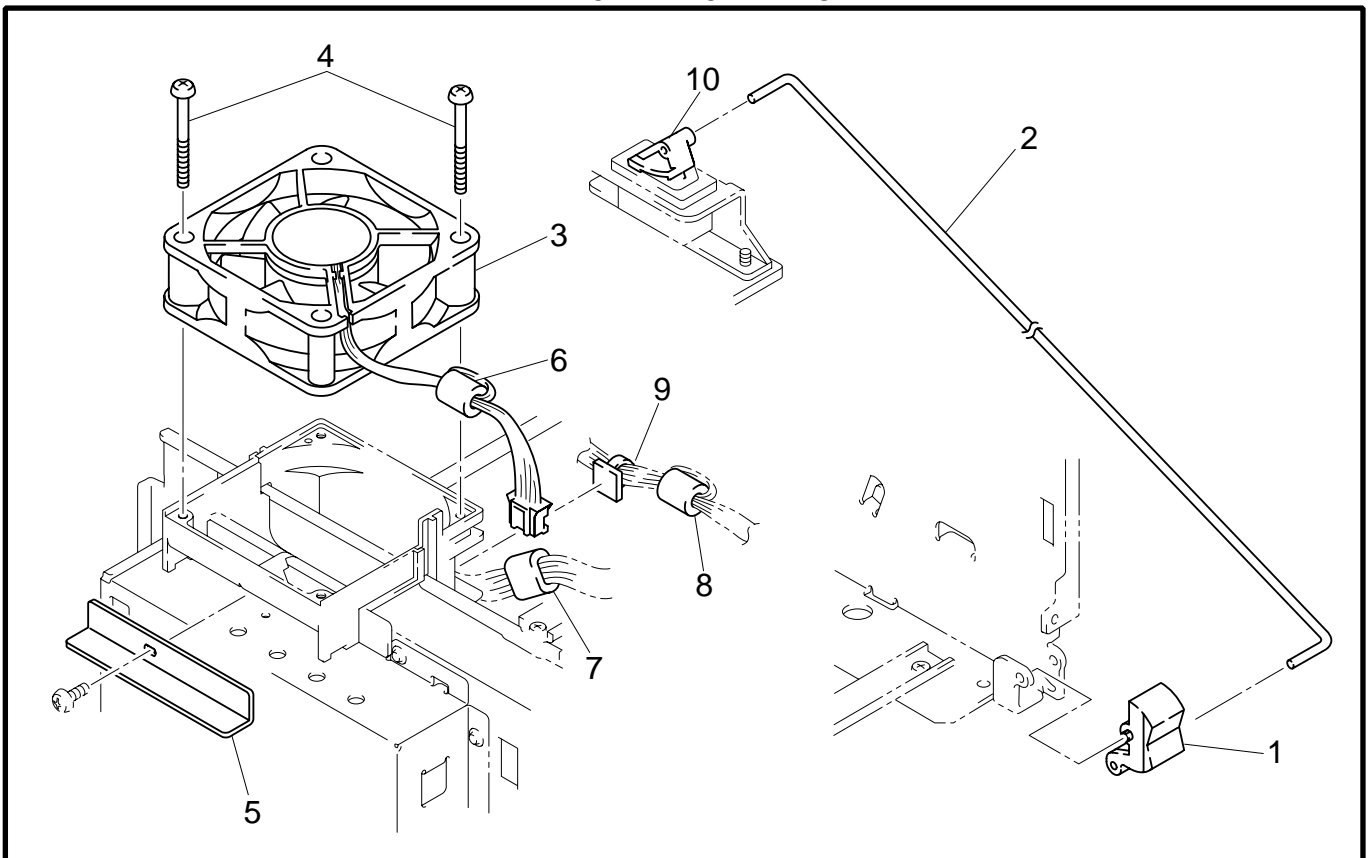
MODEL HL-1660e 54T-U03-090

### 3 .CONTROL PANEL



MODEL HL-1660e 54T-U03-150

### 4 PCB ATTACHMENTS



T/I NO. PR98309

MODEL HL-1660e 54T-U03-450

3. CONTROL PANEL

REF.NO	CODE	Q'TY	DESCRIPTION	SYMBOL	REMARK
1-2	UK3024001	1	CONTROL PANEL UNIT (SP)	(B48K143-200B)	
1	UK2500000	1	SWITCH FLAT CABLE 21P		
2	UH2011001	1	PANEL STOPPER, GRAY1227		
3	UH1451001	1	PANEL SHEET, HL-1660e		

MODEL HL-1660e 54T-U03-150

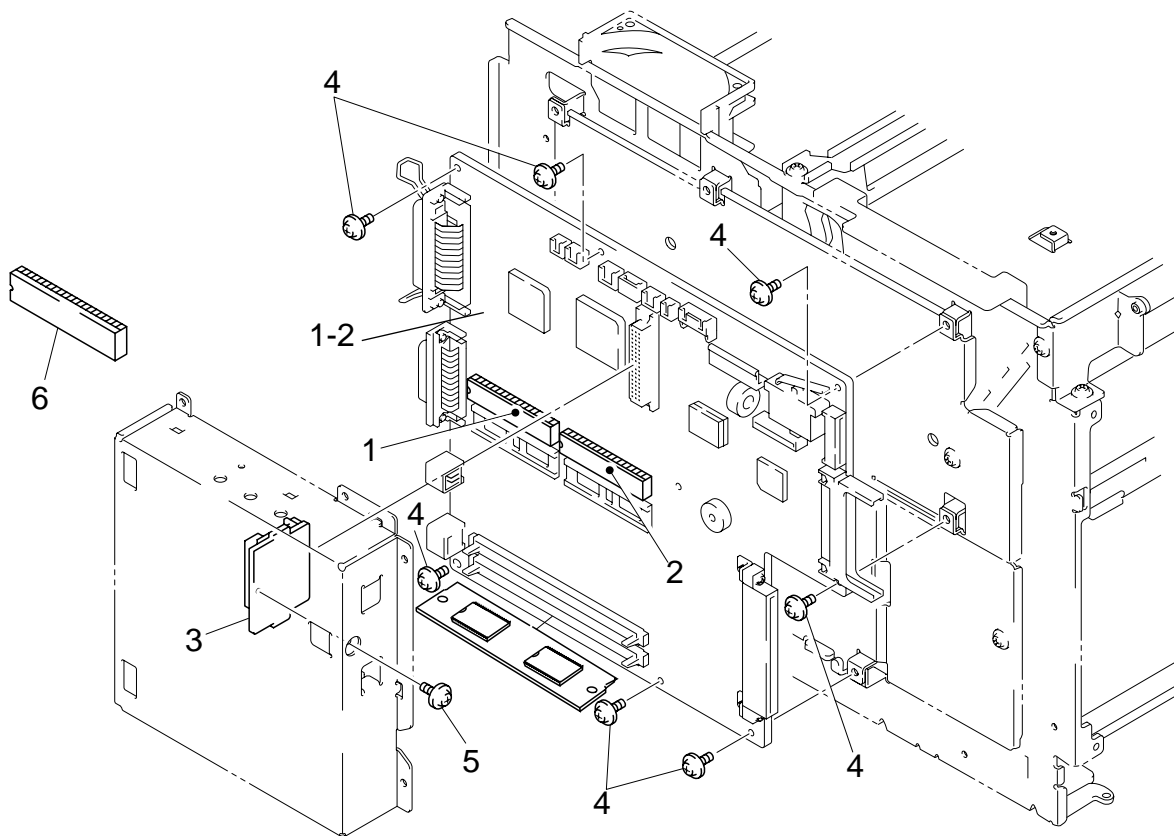
4. PCB ATTACHMENTS

REF.NO	CODE	Q'TY	DESCRIPTION	REMARK
1	UH2121001	1	REMOTE SWITCH	
2	UH2122000	1	PS SWITCH WIRE	
3	UH2124001	1	DC FAN MOTOR	
4	083313515	2	TAPTITE, PAN B M3X35	
5	UH2144001	1	HOLDER SPACER	
6	UK2826001	1	CORE:RI-12-15-8.5	
7	UK3213000	1	CORE:FPC-16-12	
8	UK3214000	1	CORE:ZCAT1518	
9	UK3215000	1	CABLE CLAMP	
10	UH2123001	1	SWITCH ATTACHMENT	

MODEL HL-1660e 54T-U03-450

T/I NO. PR98309

# 5 . MAIN PCB





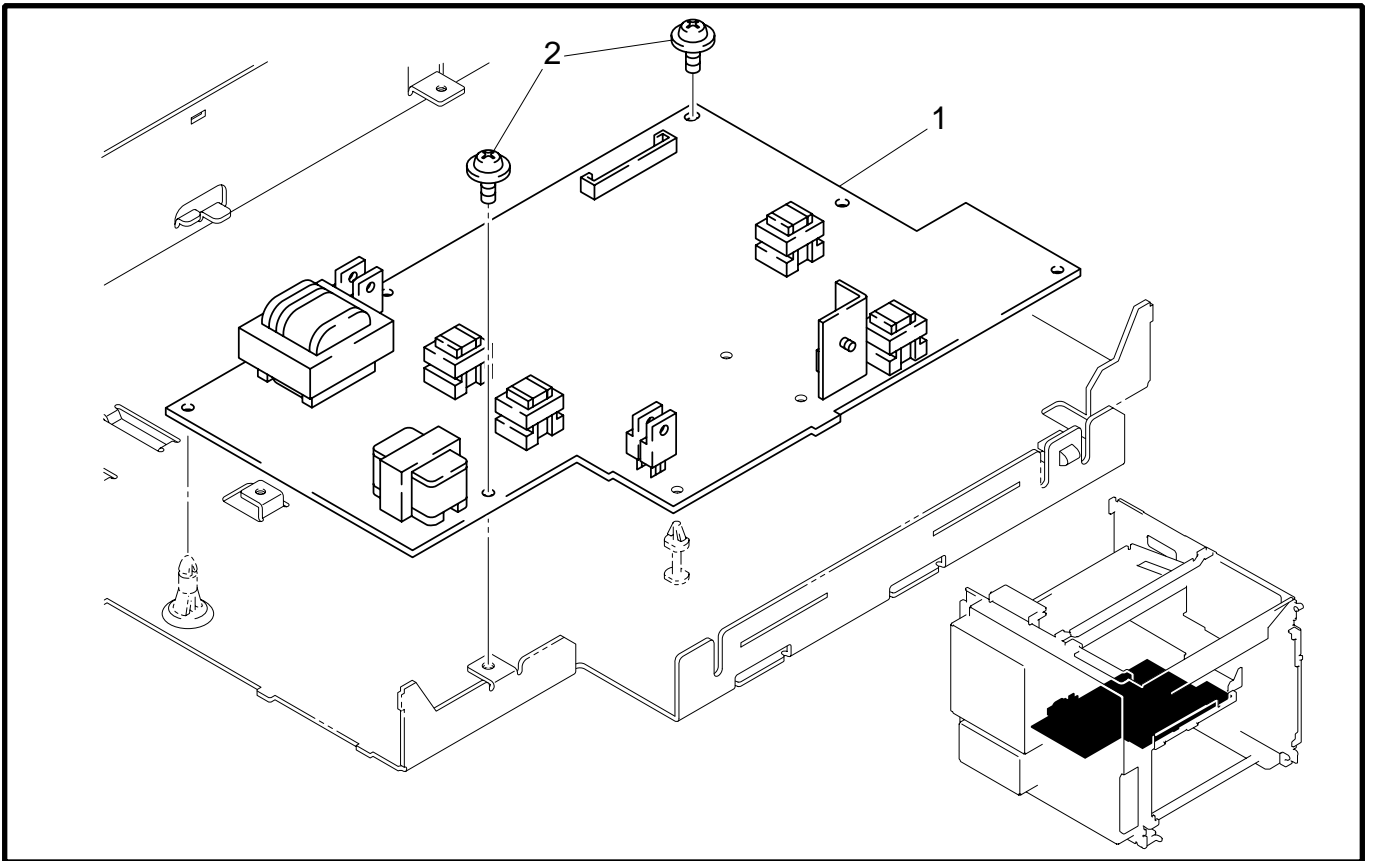
5. MAIN PCB

REF.NO	CODE	Q'TY	DESCRIPTION	SYMBOL	REMARK
1-2	UK3799001	1	MAIN PCB ASSY (SP), HL1660e	B48K294-100E	
1	UK4280000	1	MROM23C32000-01	#26	
2	UK4281000	1	MROM23C32000-02	#14	
3	UK3785001	1	MIO CONNECTOR PCB ASSY	B48K295-100	
4	087320616	7	TAPTITE, CUP S M3X6		
5	087320616	1	TAPTITE, CUP S M3X6		
6	UK2466000	1	EPROM:27C8000DZ(BLANK EPROM)(SP)	(#1)	

MODEL HL-1660e 54T-U03-103

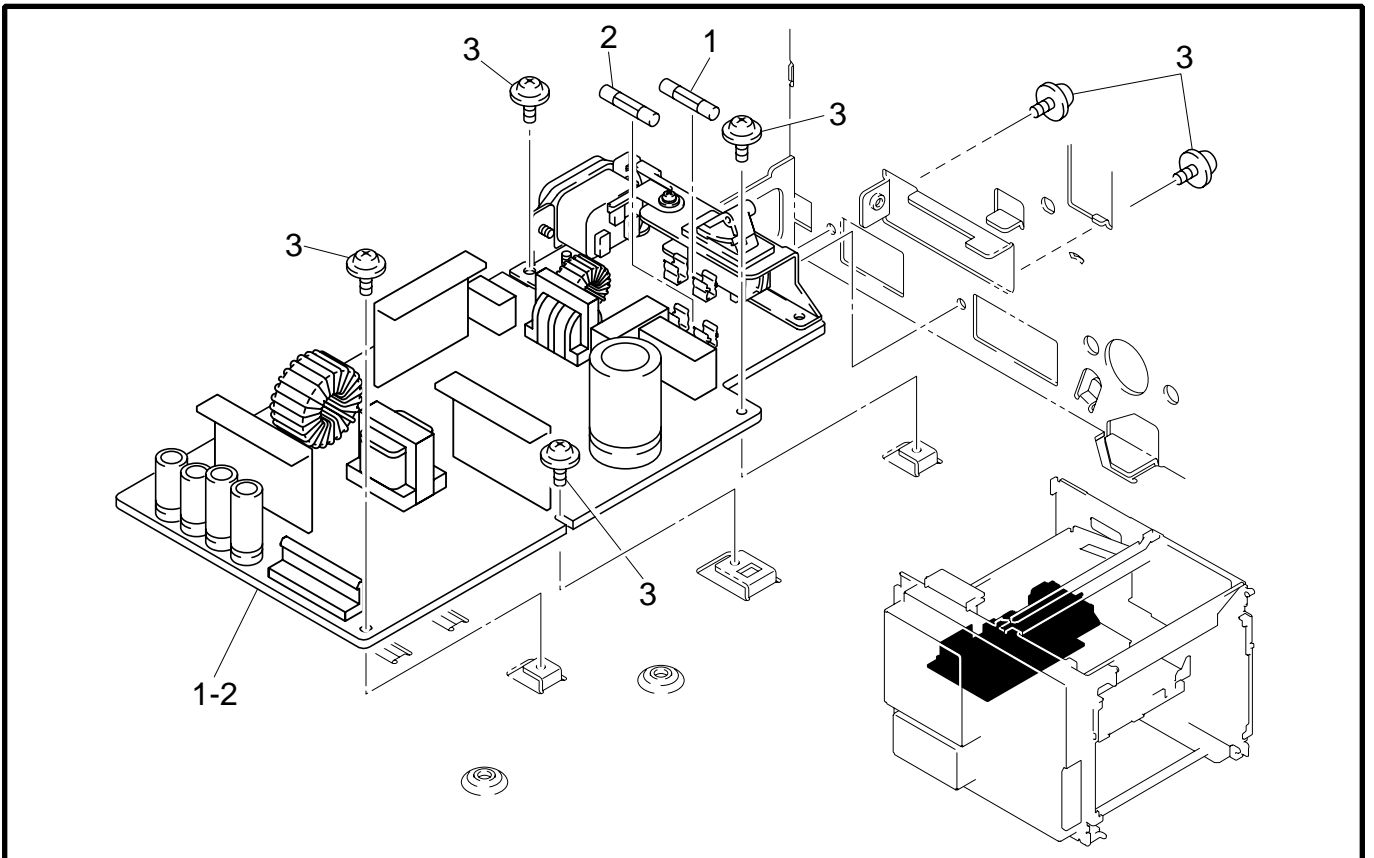
T/I NO. PR98017 / PR98055 / PR98278

### 6 . HIGH-VOLTAGE POWER SUPPLY



MODEL HL-1660e 54T-U03-200

### 7 . LOW-VOLTAGE POWER SUPPLY



MODEL HL-1660e 54T-U03-300

6. HIGH-VOLTAGE POWER SUPPLY

REF.NO.	CODE	Q'TY	DESCRIPTION	SYMBOL	REMARK
1	UK2702001	1	HIGH-VOLTAGE PS PCB ASSY (SP)	B48K186-300E	
2	087320616	2	TAPTITE, CUP S M3X6		

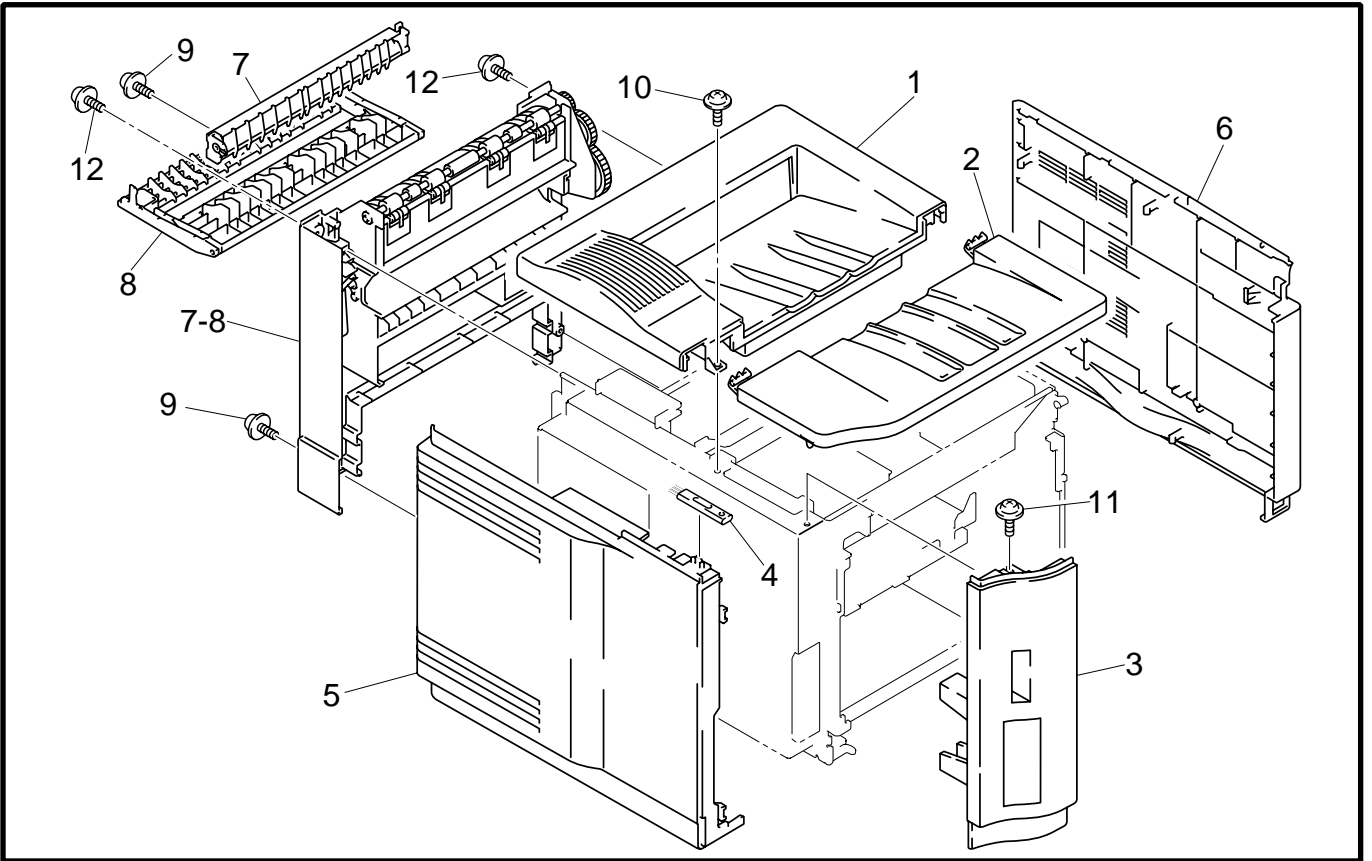
MODEL HL-1660e 54T-U03-200

7. LOW-VOLTAGE POWER SUPPLY

REF.NO.	CODE	Q'TY	DESCRIPTION	SYMBOL	REMARK
1-2	UK2753001	1	LOW-VOLT PS PCB ASSY, 115VM(SP)	F1 F1 F2 F2	
1-2	UK2754001	1	LOW-VOLT PS PCB ASSY, 230VM(SP)		
1	UK2756001	1	GLASS FUSE, 10A-125VM (PS PCB 115VM) (SP)		
1	UK2759001	1	GLASS FUSE, 6A-250VM (PS PCB 230VM) (SP)		
2	UK2757001	1	GLASS FUSE, 5A-125VM (PS PCB 115VM) (SP)		
2	UK2760001	1	GLASS FUSE, 3A-250VM (PS PCB 230VM) (SP)		
3	UH2036001	6	TAPTITE, PAN S M3X8		

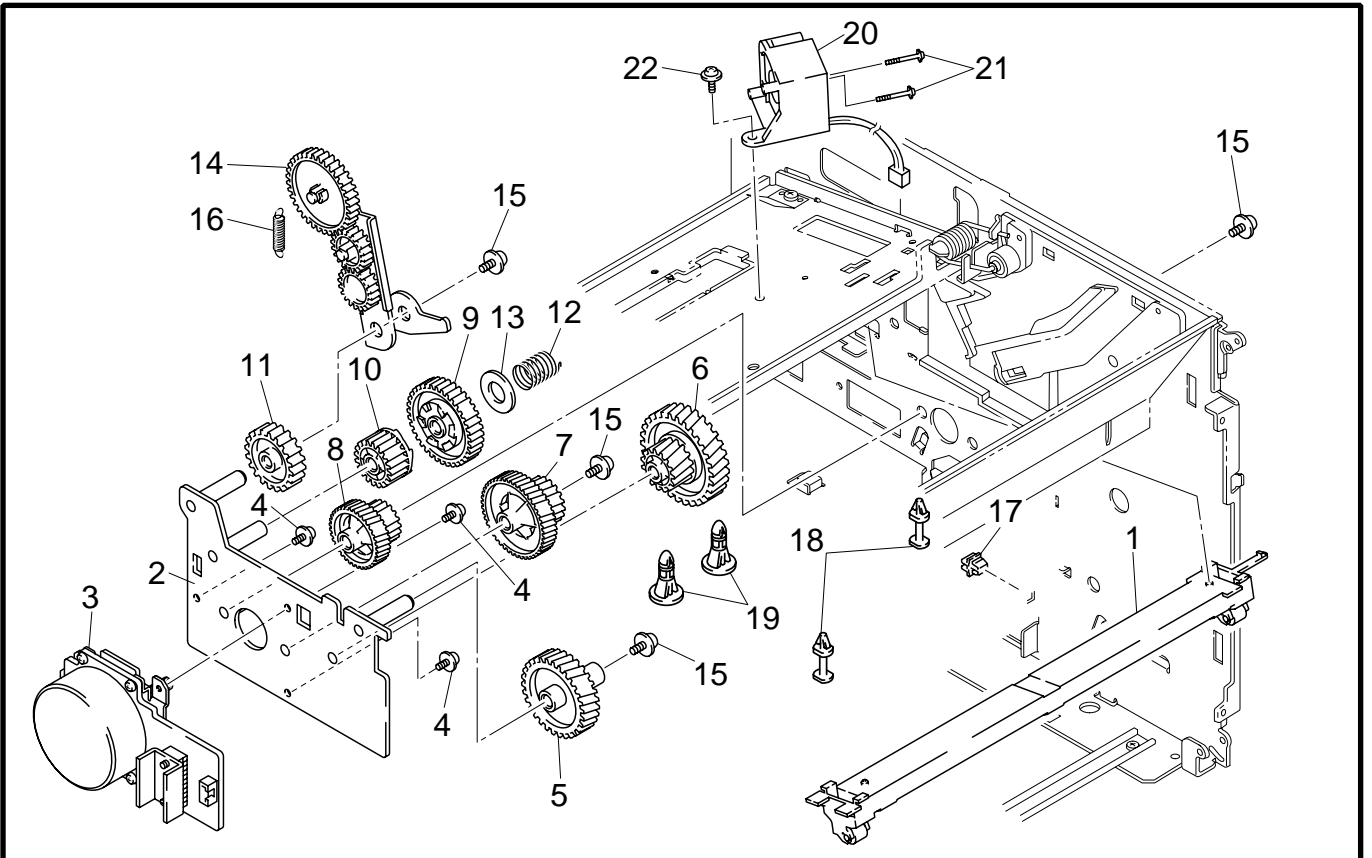
MODEL HL-1660e 54T-U03-300

8 . COVERS



MODEL HL-1660e 54T-U03-400

9 . CHASSIS



MODEL HL-1660e 54T-U03-500

8. COVERS

REF.NO.	CODE	Q'TY	DESCRIPTION	REMARK
1	UH2065001	1	UPPER COVER ASSY, GRAY1227	
2	UH2071001	1	TONER CARTRIDGE LID, GRAY1227	
3	UH2072001	1	FONT COVER ASSY, GRAY1227	
4	UH2076001	1	CLEANER BRUSH	
5	UH2077001	1	SIDE COVER L, GRAY1227	
6	UH2027001	1	SIDE COVER R2 ASSY, GRAY1227	
7-8	UH2082001	1	REAR COVER ASSY, GRAY1227	
7-8	UH2104001	1	REAR COVER ASSY, GRAY 1227(TMT-17)	
7	UH2085001	1	CHANGEOVER GUIDE, GRAY1227	
8	UH2103001	1	JAM REMOVE COVER, GRAY1227	
9	087320616	2	TAPTITE, CUP S M3X6	
10	087320616	1	TAPTITE, CUP S M3X6	
11	087320616	1	TAPTITE, CUP S M3X6	
12	087321016	2	TAPTITE, CUP S M3X10	

MODEL HL-1660e 54T-U03-400

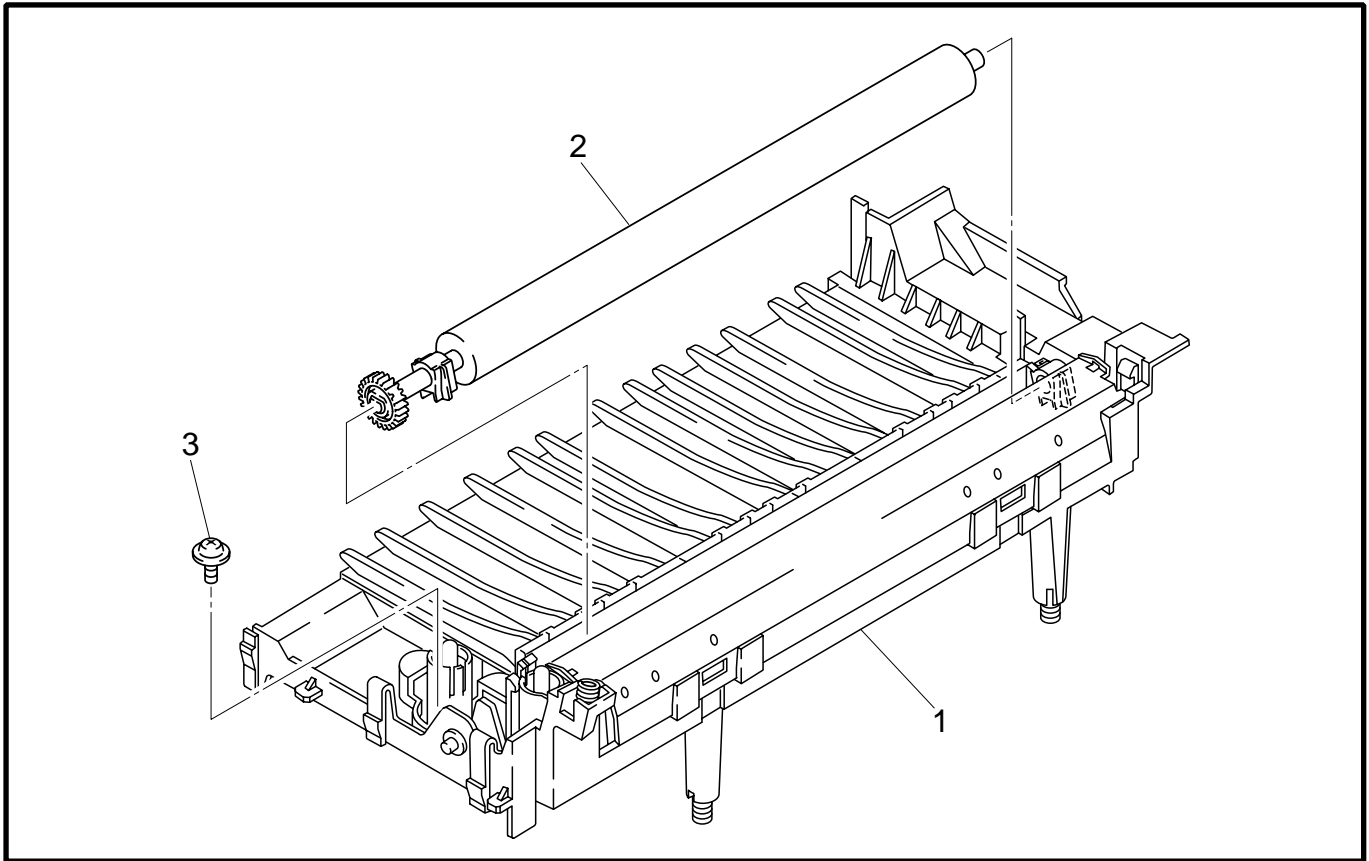
T/I NO. PR98175

9. CHASSIS

REF.NO.	CODE	Q'TY	DESCRIPTION	REMARK
1	UH2229001	1	CARTRIDGE STOPPER ASSY	
2	UH2233001	1	DC GEAR HOLDER ASSY	
3	UH2814001	1	DC MOTOR ASSY 2 (SP)	
4	087320616	3	TAPTITE, CUP S M3X6	
5	UH2238000	1	GEAR 39	
6	UH2239000	1	GEAR 20/50	
7	UH2240000	1	GEAR 24/72	
8	UH2241000	1	GEAR 22/55	
9	UH2242000	1	GEAR 48	
10	UH2243000	1	GEAR 21	
11	UH2244000	1	GEAR 28	
12	UH2245001	1	GEAR 48 SPRING	
13	026100136	1	WASHER, PLAIN S 10	
14	UH2255001	1	PAPER DELIVERY GEAR ASSY	
15	U74234001	4	TAPTITE, CUP M4X5	
16	UH2250001	1	PAPER DELIVERY HOLDER SPRING	
17	UH2252000	1	SPACER 2	
18	UH2254000	2	SPACER 1	
19	T31242001	2	PCB SPACER F	
20	UH2263001	1	SCANNER FAN MOTOR	
21	083313015	2	TAPTITE, PAN B M3X30	
22	087320616	1	TAPTITE, CUP S M3X6	

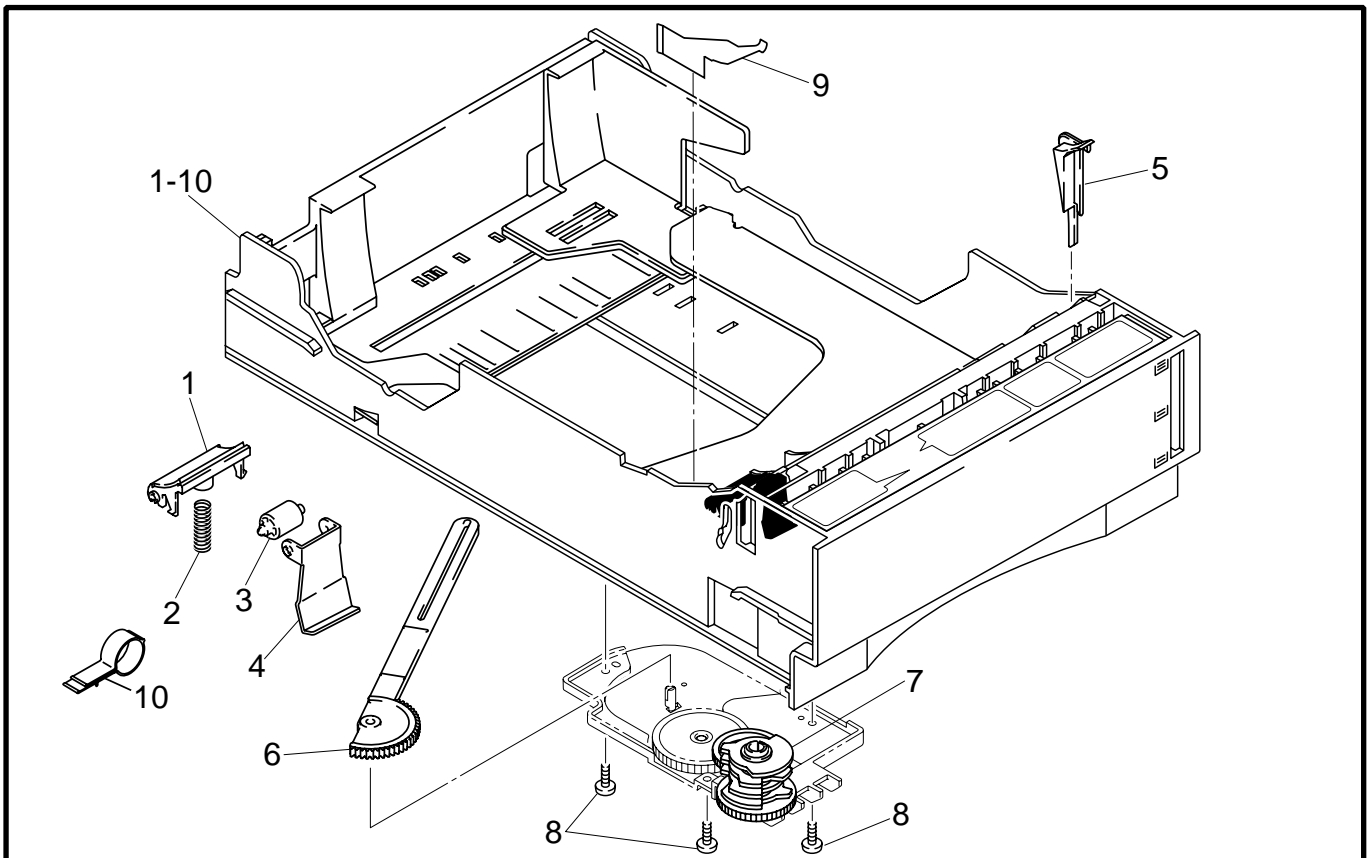
MODEL HL-1660e 54T-U03-500

10 . TRANSFER



MODEL HL-1660e 54T-U03-600

11 . PAPER TRAY



MODEL HL-1660e 54T-U03-650/651

## 10. TRANSFER

REF.NO.	CODE	Q'TY	DESCRIPTION	REMARK
1	UH2787001	1	TRANSFER BASE ASSY (SP)	
2	UH1834001	1	TRANSFER ROLLER A ASSY (SP)	
3	087321016	1	TAPTITE, CUP S M3X10	

MODEL HL-1660e 54T-U03-600

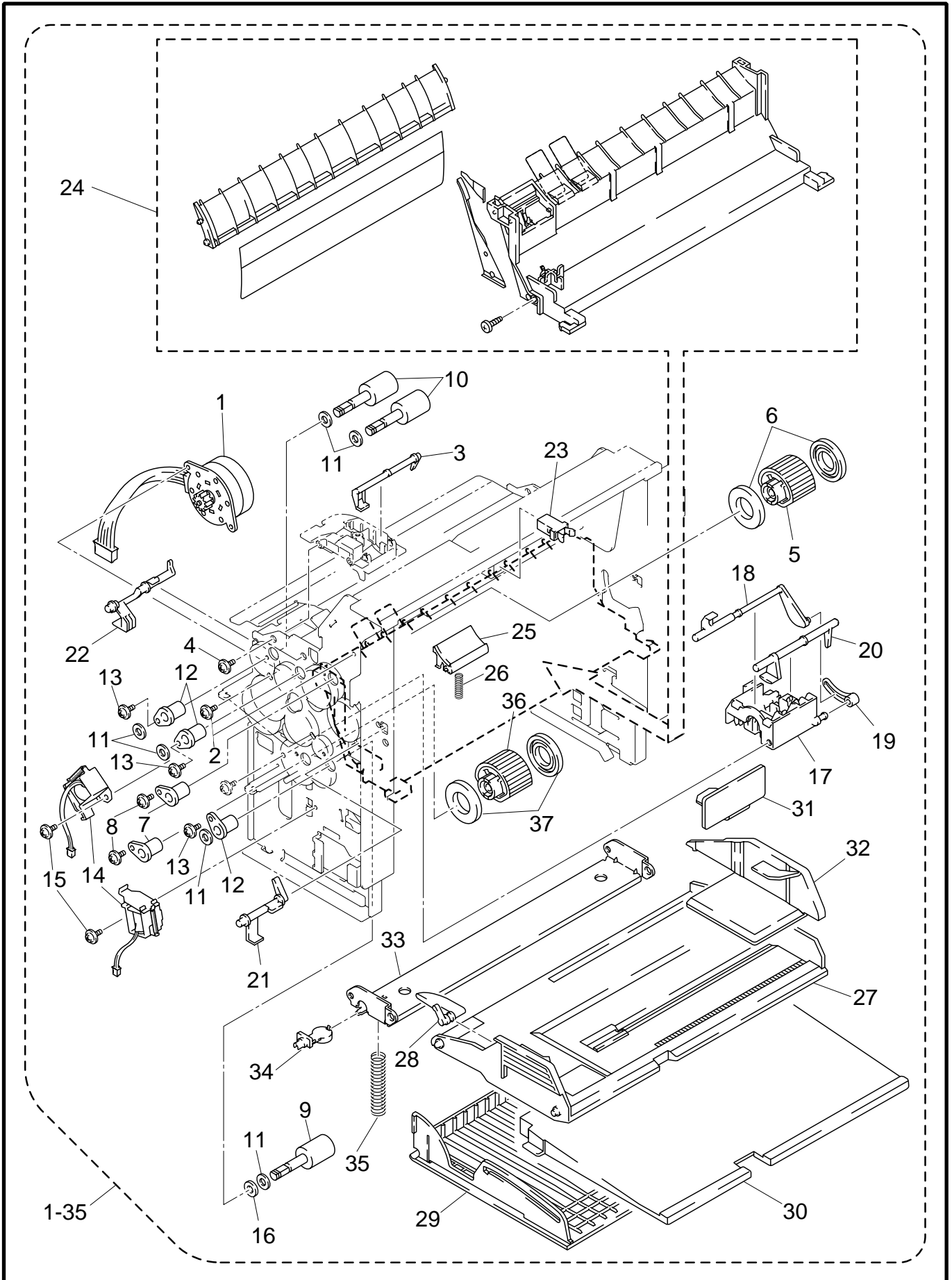
T/I NO. PR98174

## 11. PAPER TRAY

REF.NO.	CODE	Q'TY	DESCRIPTION	REMARK
1-10	UH2806001	1	PAPER TRAY UNIT SO, USA (SP) GRAY1227	
1-10	UH2799001	1	PAPER TRAY UNIT S, EUR (SP) GRAY1227	
1-10	UH2802001	1	PAPER TRAY UNIT S, CAN (SP) GRAY1227	
1	UH2487001	1	SEPARATION PAD ASSY T	
2	UH2841001	1	SEPARATION PAD SPRING 200	
3	UH2360000	1	ROLLER	
4	UH2459000	1	ROLLER HOLDER	
5	UH2469000	1	PAPER FRONT GUIDE, BLUE6155	
6	UH2463001	1	GEAR 56T LINK	
7	UH2465001	1	SIZE DRUM	
8	085310815	3	TAPTITE, BIND B M3X8	
9	UH2472001	1	TRAY GUIDE PLATE 1	
10	UH2804001	1	ADJUST KNOB STOPPER	

MODEL HL-1660e 54T-U03-650/651

12 . PAPER FEEDER





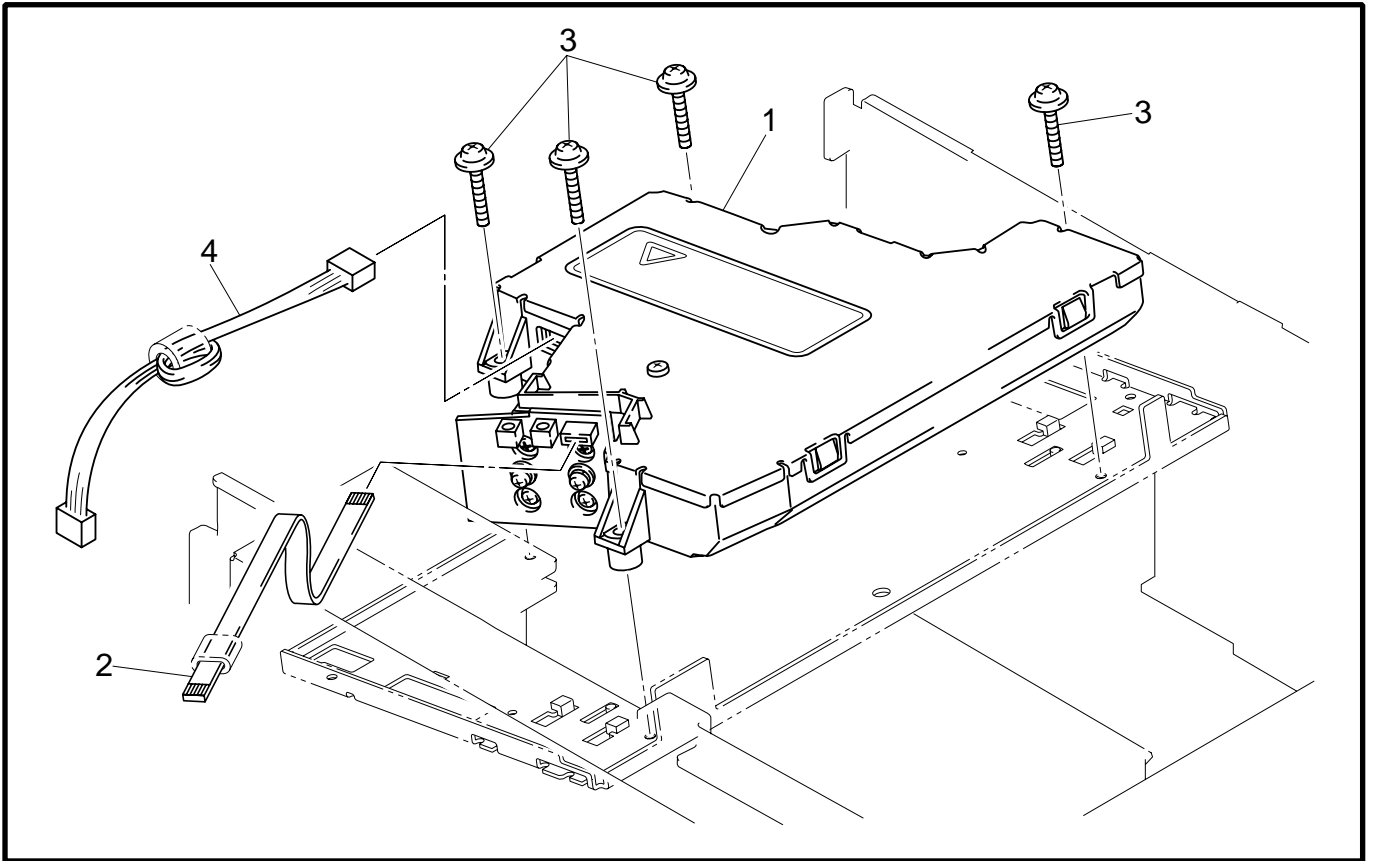
## 12. PAPER FEEDER

REF.NO.	CODE	Q'TY	DESCRIPTION	REMARK
1-35	UH2824001	1	PAPER FEED CHASSIS UNIT 2 (SP) (WITH PCB/SW SPRING/SCREW)	
1	UH2357001	1	PAPER FEED MOTOR ASSY	
2	087320616	2	TAPTITE, CUP S M3X6	
3	UH2359000	1	MP PAPER DETECTION ACTUATOR	
4	085310815	2	TAPTITE, BIND B M3X8	
5	UH2362001	1	PAPER PICK-UP ROLLER ASSY	
6	UH2364001	2	PAPER PICK-UP ROLLER COLLAR	
7	UH2366000	2	BEARING	
8	085320616	2	TAPTITE, BIND S M3X6	
9	UH2416001	1	PAPER FEED ROLLER ASSY 60	
10	UH2367001	2	PAPER FEED ROLLER ASSY 70	
11	UL0633000	6	WASHER, PLAIN	
12	UH2366000	3	BEARING	
13	085320616	3	TAPTITE, BIND S M3X6	
14	UH2369001	2	PAPER PICK-UP SOLENOID	
15	085320416	2	TAPTITE, BIND S M3X4	
16	UH2428000	1	BEARING CALLOR	
17	UH2379000	1	TRAY SENSOR HOLDER	
18	UH2380000	1	PE SENSOR ACTUATOR TRAY	
19	UH2381000	1	PE ACTUATOR LINK	
20	UH2382000	1	DU DETECTION ACTUATOR	
21	UH2383000	1	PE SENSOR ACTUATOR MP	
22	UH2384000	1	REGIST SENSOR ACTUATOR	
23	UH2136001	1	LATCH	
24	UH2797000	1	MP PAPER FEED GUIDE ASSY (SP)	
25	UH2393001	1	SEPARATION PAD ASSY	
26	UH2433001	1	SEPARATION PAD SPRING MP	
27	UH2397001	1	MP TRAY ASSY	
28	UH2400000	1	MP PE SUB ACTUATOR	
29	UH2406000	1	MP TRAY COVER	
30	UH2407000	1	MP EXTENSION TRAY	
31	UH2823001	1	SPACER	
32	UH2401000	1	MP PAPER GUIDE	
33	UH2402000	1	MP RELEASE PLATE	
34	UH2403000	1	MP RELEASE SUPPORTER	
35	UH2404000	1	MP SPRING	
36	UH2821001	1	PAPER PICK-UP ROLLER ASSY 3	
37	UH2822001	2	PAPER PICK-UP ROLLER COLLAR 30	

MODEL HL-1660e 54T-U03-630

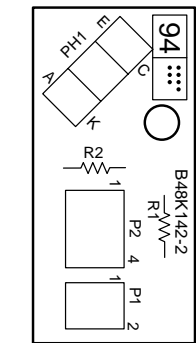
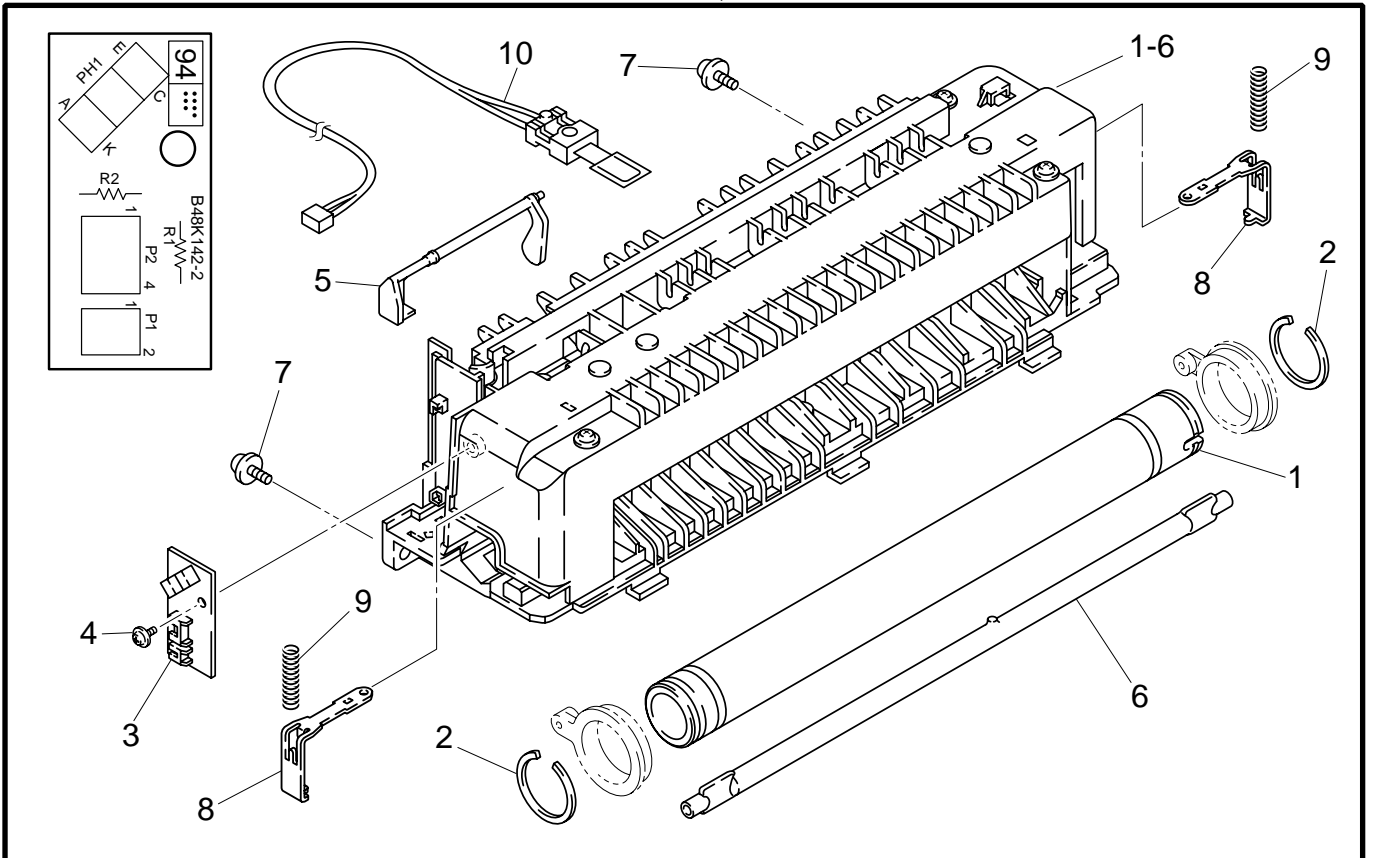
T/I NO. PR98202

13 . SCANNER



MODEL HL-1660e 54T-U03-700

14 . FIXING UNIT, 120V/230V



T/I NO. PR98054, PR98061

MODEL HL-1660e 54T-U03-770/771

## 13. SCANNER

REF.NO.	CODE	Q'TY	DESCRIPTION	REMARK
1	UH2815001	1	SCANNER UNIT ASSY C (SP)	
2	UK2503000	1	SCN FLAT CABLE 6P	
3	087321616	4	TAPTITE, CUP S M3X16	
4	UK3254001	1	POLYGON HARNESS 5P	

MODEL HL-1660e 54T-U03-700

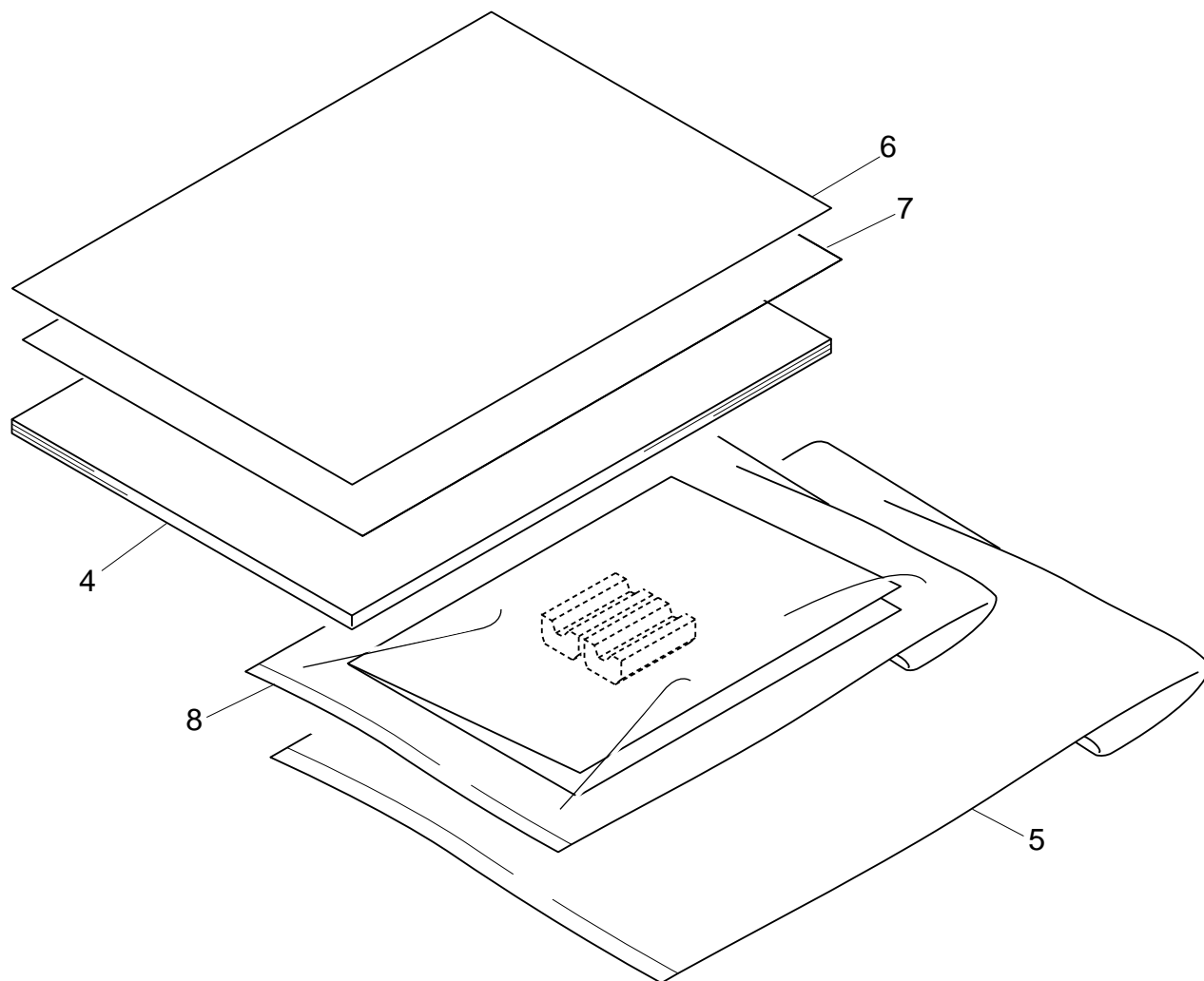
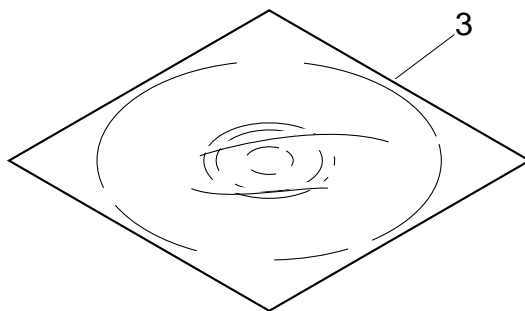
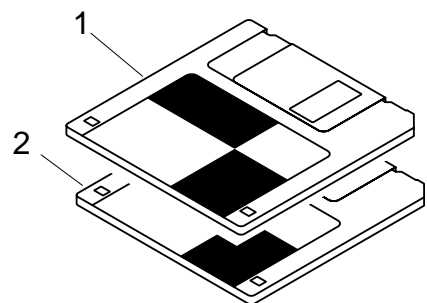
## 14. FIXING UNIT, 120V/230V

REF.NO.	CODE	Q'TY	DESCRIPTION	SYMBOL	REMARK
1-6	UH2816001	1	FIXING UNIT, 120V C (SP)		
1-6	UH2817001	1	FIXING UNIT, 230V C (SP)		
1	UH2793001	1	HEAT ROLLER (SP)		
2	UH2608001	2	RETAINING RING, 25		
3	UK2451001	1	FIXING PCB ASSY	B48K142-200	
4	085310815	1	TAPTITE, BIND B M3X8		
5	UH2623001	1	PAPER DELIVERY ACTUATOR		
6	UH2794001	1	HALOGEN HEATER, 120V (SP)		
6	UH2795001	1	HALOGEN HEATER, 230V (SP)		
7	087421015	2	TAPTITE, CUP S M4X10		
8	UH2645001	2	HEATER SUPPORT SPRING S		
9	UH2646001	2	HEATER PRESS SPRING		
10	UH2628001	1	THERMISTOR ASSY PT7		

MODEL HL-1660e 54T-U03-770/771

T/I NO. PR98054, PR98061

15 . DOCUMENTS



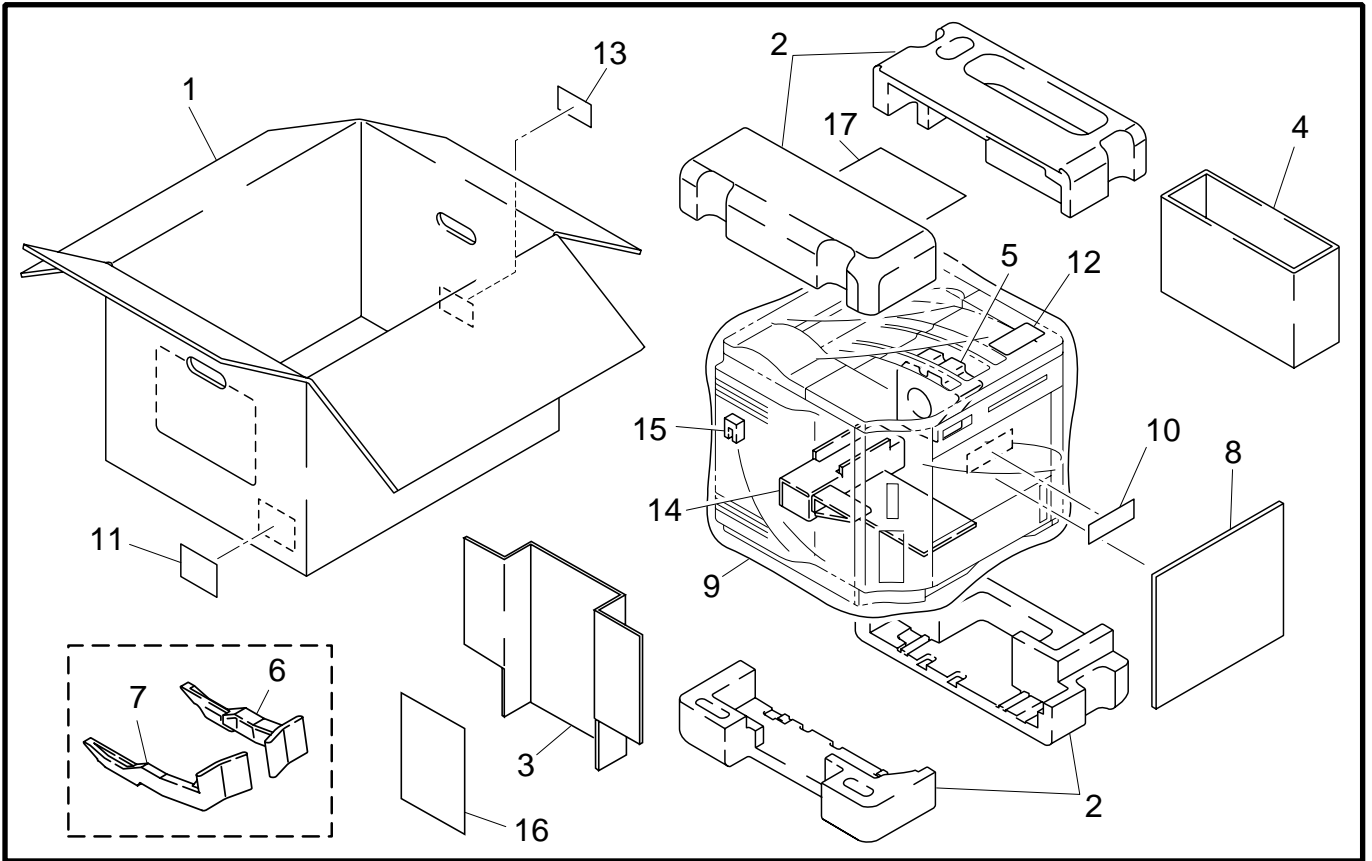
## 15. DOCUMENTS

REF.NO.	CODE	Q'TY	DESCRIPTION	REMARK
1	UK3811001	1	PR DRIVER DISK #1, HL-1660e(FIRST PART 1/2)	VER. C
1	UK4335001	1	PR DRIVER DISK #3, HL-1660e SPA (1/2)	
2	UK3813001	1	PR DRIVER DISK #2, HL-1660e (LATTER PART 2/2)	
2	UK4337001	1	PR DRIVER DISK #4, HL-1660e SPA (2/2)	
3	UK4329001	1	CD-ROM ASSY (HL-1070/1660E/2060)	
4	UH1413001	1	USER'S MANUAL, ENG (HL-1660e)	
4	UH1414001	1	USER'S MANUAL, GER (HL-1660e)	
4	UH1415001	1	USER'S MANUAL, FRA (HL-1660e)	
4	UH1416001	1	USER'S MANUAL, DUTCH (HL-1660e)	
4	UH1417001	1	USER'S MANUAL, NOR (HL-1660e)	
4	UH1418001	1	USER'S MANUAL, ITA (HL-1660e)	
4	UH2754001	1	USER'S MANUAL, SPA (HL-1660e)	
5	UE0331001	1	BAG, 215X350H (USER'S MANUAL)	
6	UH1437001	1	USB INSERTION SHEET	
7	UH1425001	1	SIMM INSERTION SHEET, ENG (HL1660e)	
7	UH1426001	1	SIMM INSERTION SHEET, GER (HL1660e)	
7	UH1427001	1	SIMM INSERTION SHEET, FRA (HL1660e)	
7	UH1428001	1	SIMM INSERTION SHEET, DUTCH (HL1660e)	
7	UH1429001	1	SIMM INSERTION SHEET, NOR (HL1660e)	
7	UH1430001	1	SIMM INSERTION SHEET, ITA (HL1660e)	
8	UK3741001	1	CORE ESD-SR-25 ASSY (For USB)	

MODEL HL-1660e 54T-U03-920

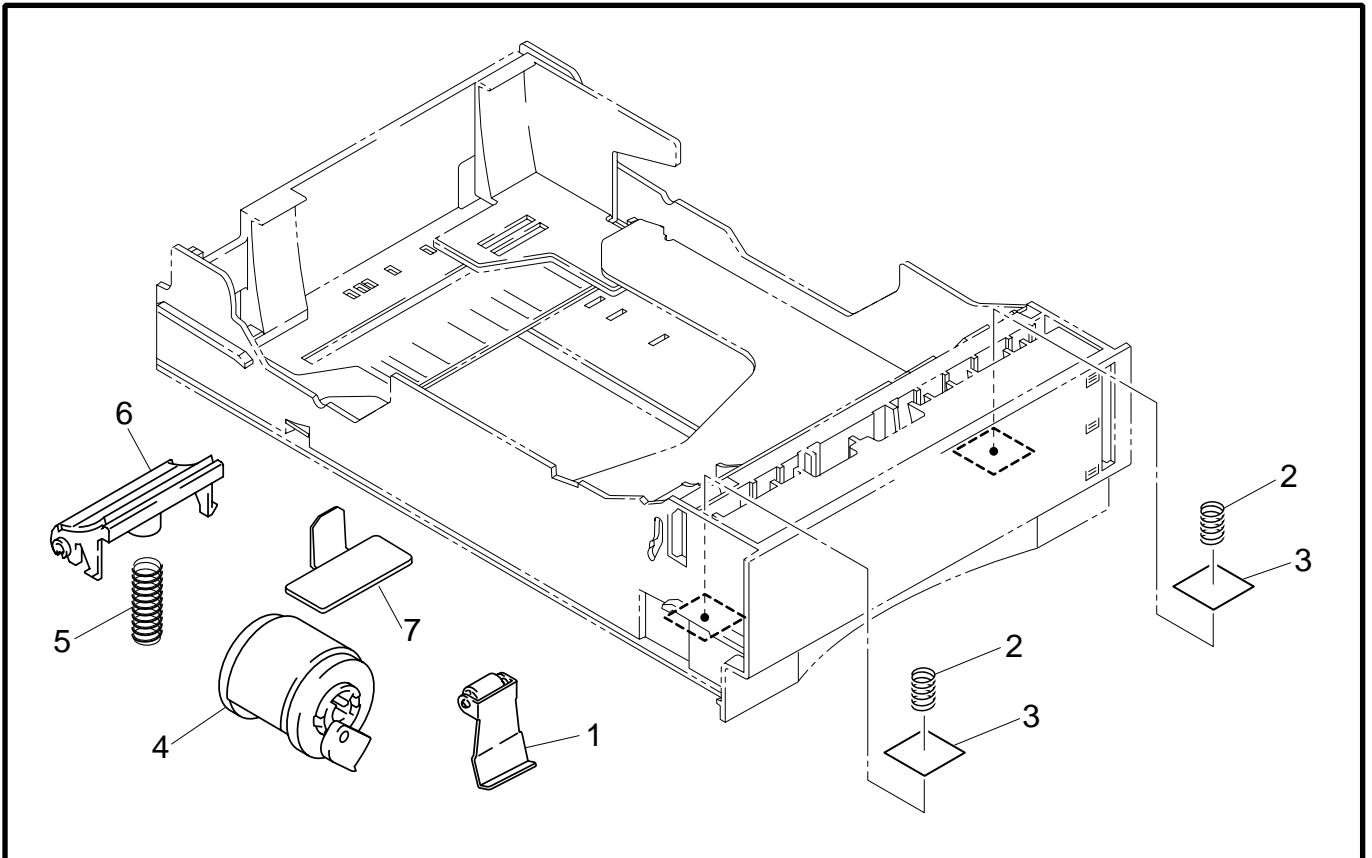
T/I NO. PR98072 / PR98203 / PR98204 / PR98209 / PR98263 / PR98269 / PR98274 / PR98279 / PR98280 / PR98293 / PR98310 / PR98316

16 . PACKING MATERIALS



MODEL HL-1660e 54T-U03-930

17 . OPTIONAL PARTS SET



MODEL HL-1660e 54T-U03-940

16. PACKING MATERIALS

REF.NO.	CODE	Q'TY	DESCRIPTION	REMARK
1	UE0367000	1	CARTON, C-NO BRAND	
1	UE0637001	1	CARTON, C-USA H	
1	UE0638001	1	CARTON, C-EUR H	
2	UE0370000	1	STYROFOAM PAD ASSY	
3	UE0373000	1	PAD	
4	UE0374000	1	CARTON, TNR CARTRIDGE (W/EP-ED)	
4	UE0476000	1	CARTON, TNR CARTRIDGE (WO/EP-ED)	
5	UE0376000	1	STYROFOAM PAD (PLATE HOLDER)	
6	UH2735001	1	RELEASE SPACER R	
7	UH2736001	1	RELEASE SPACER L	
8	UE0396000	1	PAD (CONTROL PANEL)	
9	UE0477000	1	BAG, 900X800 (BODY)	
9	U63969000	1	BAG, 900X800 BS W/HOLE (BODY)	
10	U62092001	1	CAUTION LABEL 24, US	
10	163528001	1	CAUTION LABEL, BS	
11	U04510001	1	IMPORTER LABEL, CAN	
12	X60267002	1	RECYCLE LABEL, DEU/FRA	
13	UH1440001	1	BAR CODE LABEL, 525110 UPC USA	
13	UH1441001	1	BAR CODE LABEL, 526371 EAN EUR	
13	UH1442001	1	BAR CODE LABEL, 525127 UPC USA (GENERIC)	
14	UE0405000	1	PAD (LETTER SIZE TRAY)	
14	UE0406000	1	PAD (A4 SIZE TRAY)	
15	UE0425001	1	POSITION FIXING SPONGE	
16	UH2741001	1	INSERTION SHEET	
17	UH3373001	1	NO RTN FORM, USA	
17	UH3295001	1	RNT FORM, CAN	

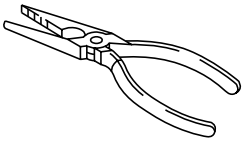
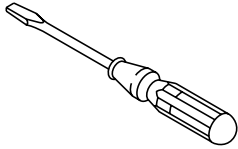
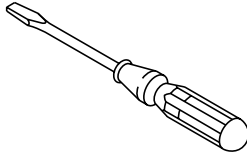
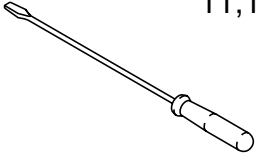
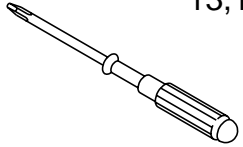
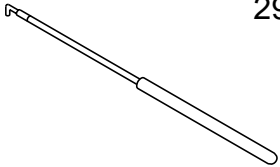
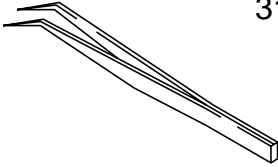
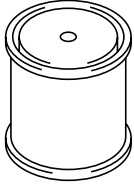
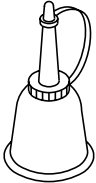
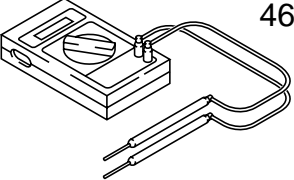
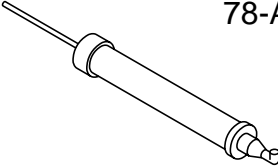
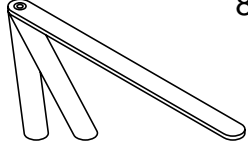
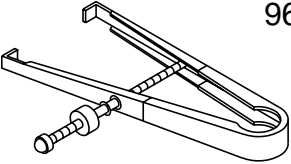
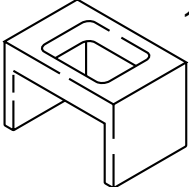
MODEL HL-1660e 54T-U03-930

17. OPTIONAL PARTS SET

REF.NO.	CODE	Q'TY	DESCRIPTION	REMARK
1	UH2499001	1	ROLLER HOLDER SO ASSY (SP)	
2	UH2498001	2	TRAY PUSH SPRING ELT (SP)	
3	UH2477000	2	TRAY PUSH SPRING FILM ELT (SP)	
4	UH2820001	1	PAPER PICK-UP ROLLER UNIT 2 (SP)	
5	UH1778000	1	SEPARATION PAD SPRING DX (SP)	
6	UH1772001	1	SEPARATION PAD DX ASSY (SP)	
7	UH2823001	1	SPACER	

MODEL HL-1660e 54T-U03-940

18 . ADJUSTING TOOL KIT

 <p>1</p>	 <p>9</p>	 <p>10</p>	 <p>11,12</p>
 <p>13,14</p>	 <p>29</p>	 <p>31</p>	 <p>43-D,N,O</p>
 <p>44</p>	 <p>46</p>	 <p>78-A</p>	 <p>87</p>
 <p>96</p>	 <p>164</p>		



